

Paints and varnishes — Drying tests

Part 1: Determination of through- dry state and through-dry time (ISO 9117-1:2009)

ICS 87.040

National foreword

This British Standard is the UK implementation of EN ISO 9117-1:2009. It supersedes BS EN 29117:1992 which is withdrawn.

The UK participation in its preparation was entrusted to Technical Committee STI/10, Test methods for paints.

A list of organizations represented on this committee can be obtained on request to its secretary.

This publication does not purport to include all the necessary provisions of a contract. Users are responsible for its correct application.

Compliance with a British Standard cannot confer immunity from legal obligations.

This British Standard was published under the authority of the Standards Policy and Strategy Committee on 30 November 2009.

© BSI 2009

ISBN 978 0 580 59288 1

Amendments/corrigenda issued since publication

Date	Comments

EUROPEAN STANDARD

EN ISO 9117-1

NORME EUROPÉENNE

EUROPÄISCHE NORM

May 2009

ICS 87.040

Supersedes EN 29117:1992

English Version

Paints and varnishes - Drying tests - Part 1: Determination of through-dry state and through-dry time (ISO 9117-1:2009)

Peintures et vernis - Essais de séchage - Partie 1:
Détermination du séchage à coeur et du temps de séchage
à coeur (ISO 9117-1:2009)

Beschichtungsstoffe - Trocknungsprüfungen - Teil 1:
Bestimmung des Durchtrocknungszustandes und der
Durchtrocknungszeit (ISO 9117-1:2009)

This European Standard was approved by CEN on 23 April 2009.

CEN members are bound to comply with the CEN/CENELEC Internal Regulations which stipulate the conditions for giving this European Standard the status of a national standard without any alteration. Up-to-date lists and bibliographical references concerning such national standards may be obtained on application to the CEN Management Centre or to any CEN member.

This European Standard exists in three official versions (English, French, German). A version in any other language made by translation under the responsibility of a CEN member into its own language and notified to the CEN Management Centre has the same status as the official versions.

CEN members are the national standards bodies of Austria, Belgium, Bulgaria, Cyprus, Czech Republic, Denmark, Estonia, Finland, France, Germany, Greece, Hungary, Iceland, Ireland, Italy, Latvia, Lithuania, Luxembourg, Malta, Netherlands, Norway, Poland, Portugal, Romania, Slovakia, Slovenia, Spain, Sweden, Switzerland and United Kingdom.



EUROPEAN COMMITTEE FOR STANDARDIZATION
COMITÉ EUROPÉEN DE NORMALISATION
EUROPÄISCHES KOMITEE FÜR NORMUNG

Management Centre: Avenue Marnix 17, B-1000 Brussels

© 2009 CEN All rights of exploitation in any form and by any means reserved
worldwide for CEN national Members.

Ref. No. EN ISO 9117-1:2009: E

Foreword

This document (EN ISO 9117-1:2009) has been prepared by Technical Committee ISO/TC 35 "Paints and varnishes" in collaboration with Technical Committee CEN/TC 139 "Paints and varnishes" the secretariat of which is held by DIN.

This European Standard shall be given the status of a national standard, either by publication of an identical text or by endorsement, at the latest by November 2009, and conflicting national standards shall be withdrawn at the latest by November 2009.

Attention is drawn to the possibility that some of the elements of this document may be the subject of patent rights. CEN [and/or CENELEC] shall not be held responsible for identifying any or all such patent rights.

This document supersedes EN 29117:1992.

According to the CEN/CENELEC Internal Regulations, the national standards organizations of the following countries are bound to implement this European Standard: Austria, Belgium, Bulgaria, Cyprus, Czech Republic, Denmark, Estonia, Finland, France, Germany, Greece, Hungary, Iceland, Ireland, Italy, Latvia, Lithuania, Luxembourg, Malta, Netherlands, Norway, Poland, Portugal, Romania, Slovakia, Slovenia, Spain, Sweden, Switzerland and the United Kingdom.

Endorsement notice

The text of ISO 9117-1:2009 has been approved by CEN as a EN ISO 9117-1:2009 without any modification.

Contents

Page

Foreword.....	iv
1 Scope	1
2 Normative references	1
3 Terms, definitions and abbreviated terms	1
4 Principle.....	2
5 Apparatus and materials.....	2
6 Sampling.....	4
7 Test panels	4
7.1 Substrate	4
7.2 Preparation and coating.....	4
8 Procedure	5
8.1 Preparation of apparatus	5
8.2 Drying the test panel	5
8.3 Determination of through-dry state	5
8.4 Determination of through-dry time	5
8.5 Thickness of coating	6
9 Precision	6
10 Test report	6
Bibliography	7

Foreword

ISO (the International Organization for Standardization) is a worldwide federation of national standards bodies (ISO member bodies). The work of preparing International Standards is normally carried out through ISO technical committees. Each member body interested in a subject for which a technical committee has been established has the right to be represented on that committee. International organizations, governmental and non-governmental, in liaison with ISO, also take part in the work. ISO collaborates closely with the International Electrotechnical Commission (IEC) on all matters of electrotechnical standardization.

International Standards are drafted in accordance with the rules given in the ISO/IEC Directives, Part 2.

The main task of technical committees is to prepare International Standards. Draft International Standards adopted by the technical committees are circulated to the member bodies for voting. Publication as an International Standard requires approval by at least 75 % of the member bodies casting a vote.

Attention is drawn to the possibility that some of the elements of this document may be the subject of patent rights. ISO shall not be held responsible for identifying any or all such patent rights.

ISO 9117-1 was prepared by Technical Committee ISO/TC 35, *Paints and varnishes*, Subcommittee SC 9, *General test methods for paints and varnishes*, in collaboration with CEN/TC 139, *Paints and varnishes*.

It cancels and replaces ISO 9117:1990, which has been technically revised. The main changes are:

- a) failure is defined in terms of damage, rather than damage or marking;
- b) the former Annex A concerning required supplementary information has been integrated in the test report.

ISO 9117 consists of the following parts, under the general title *Paints and varnishes — Drying tests*:

- *Part 1: Determination of through-dry state and through-dry time*
- *Part 2: Pressure test for stackability¹⁾*
- *Part 3: Surface-drying test using ballotini²⁾*

1) To be published. (Revision of ISO 4622:1992)

2) To be published. (Revision of ISO 1517:1973)

Paints and varnishes — Drying tests —

Part 1: Determination of through-dry state and through-dry time

1 Scope

This part of ISO 9117 specifies a test method for determining under standard conditions whether a single coat or a multi-coat system of paint, varnish or related material has reached the through-dry state after a specified drying period.

NOTE The test procedure may also be used to determine the time taken to achieve that state.

2 Normative references

The following referenced documents are indispensable for the application of this document. For dated references, only the edition cited applies. For undated references, the latest edition of the referenced document (including any amendments) applies.

ISO 48, *Rubber, vulcanized or thermoplastic — Determination of hardness (hardness between 10 IRHD and 100 IRHD)*

ISO 1513, *Paints and varnishes — Preparation of test samples*

ISO 1514, *Paints and varnishes — Standard panels for testing*

ISO 2808, *Paints and varnishes — Determination of film thickness*

ISO 15528, *Paints, varnishes and raw materials for paints and varnishes — Sampling*

3 Terms, definitions and abbreviated terms

For the purposes of this document, the following terms, definitions and abbreviated terms apply.

3.1

IRHD scale

international rubber hardness degree scale

3.2

through-dry state

condition of a film in which it is dry throughout its thickness

NOTE 1 The through-dry state should not be confused with the condition in which the surface of the film is dry but the bulk of the coating is still mobile.

NOTE 2 For the purposes of this part of ISO 9117, a single coating or a multi-coat system of paint or varnish or related material is considered to be through-dry when a specified gauze under specified pressure, torsion and time does not damage the film.

3.3 through-dry time
period of time between the application of a coat to a prepared test panel and the achievement of the through-dry state, as determined by the specified test procedure

4 Principle

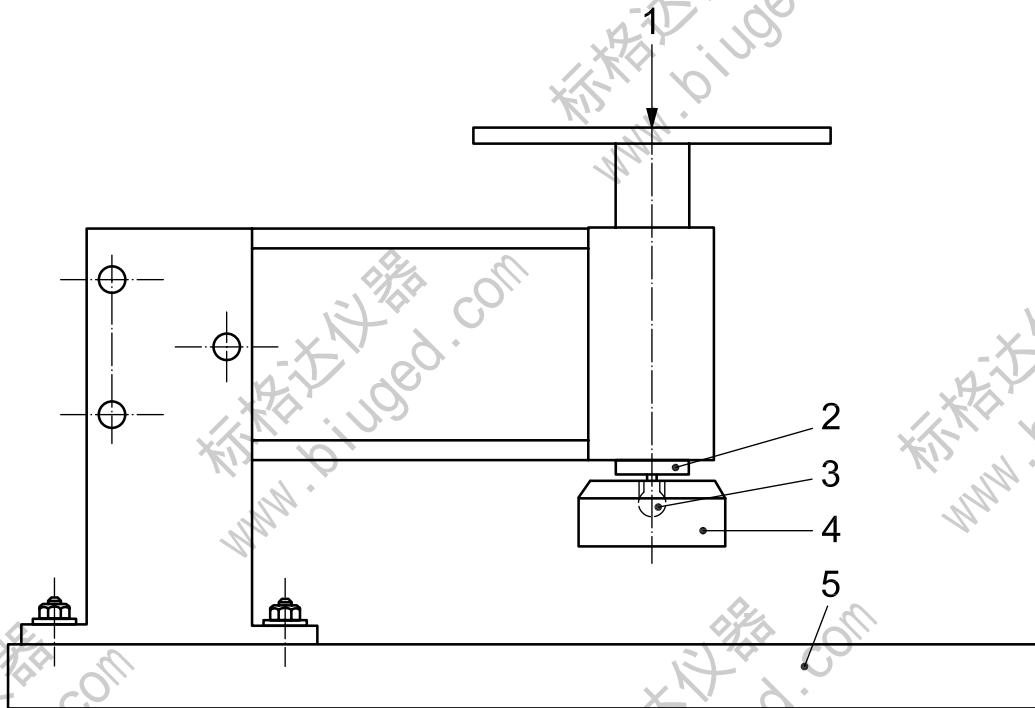
A coat of paint or varnish of agreed thickness is applied to a substrate and is allowed to dry under specified conditions. The completeness of drying throughout the coat is determined by examination of the surface of the coat after the application of a load, applied over a given area of the surface, and subsequent rotation of the load-applying face through 90°.

5 Apparatus and materials

Ordinary laboratory apparatus and glassware together with the following:

5.1 Baseplate and plunger assembly (see Figure 1 and Figure 2), consisting essentially of a baseplate and a free-sliding plunger. The plunger head shall have a diameter of at least 25 mm. It shall be designed in such a way that the underside of the head can align itself with the upper surface of the test panel.

NOTE 1 If the mass of the plunger is not greater than 250 g, the apparatus described in ISO 4622 ^[1] is suitable for the test.



Key

- 1 weights
- 2 plunger
- 3 ball joint
- 4 plunger head
- 5 baseplate

Figure 1 — Baseplate and plunger assembly

A rubber disc (5.2) shall be attached to the centre of the underside of the plunger head using tape coated on both sides with adhesive. There shall be a device to firmly clamp a gauze (5.3) to the test face, and the plunger head shall be able to be rotated through 90°.

NOTE 2 It is recommended that a ball-joint connection be present between the plunger and its head and that, for reasons of economy, the plunger specified in ISO 4622 be used.

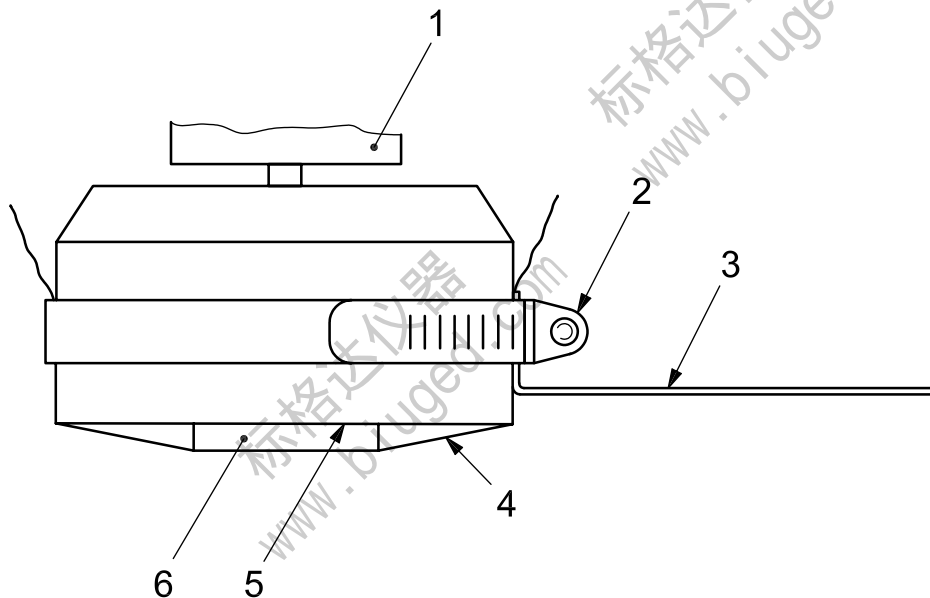
5.2 Flat rubber disc, of diameter (22 ± 1) mm, thickness $(5 \pm 0,5)$ mm and hardness (50 ± 5) IRHD (see ISO 48).

NOTE For reasons of economy, it is recommended that the rubber disc specified in ISO 3678^[2] be used.

5.3 Gauze, of woven monofilament polyamide, minimum size 100 mm × 100 mm. The gauze thread diameter shall be 0,120 mm and the gauze aperture approximately 0,2 mm.

5.4 Weights, giving a total mass of $(1\ 500 \pm 10)$ g.

5.5 Stopwatch, accurate to 0,1 s.



Key

- 1 plunger
- 2 clip
- 3 rod for rotating plunger head
- 4 gauze
- 5 double-faced adhesive tape
- 6 rubber disc

Figure 2 — Detail showing assembled plunger head

6 Sampling

Take a representative sample of the product to be tested (or of each product in the case of a multi-coat system), as described in ISO 15528.

Examine and prepare each sample for testing, as described in ISO 1513.

7 Test panels

7.1 Substrate

Select as the substrate three test panels (or six if both the through-dry state and the through-dry time are to be determined) of a type described in ISO 1514, where possible ensuring that the substrate is equivalent to the intended application.

7.2 Preparation and coating

Prepare the test panels (see 7.1) in accordance with ISO 1514 and then coat them with the product or system under test by the specified method to the thickness specified for the dry film.

The coating method and dry film thickness shall be as specified by the manufacturer, or agreed between interested parties, and included in the test report [see Clause 10, items c) 2) and c) 3)].

8 Procedure

8.1 Preparation of apparatus

Clamp the gauze (5.3) over the rubber disc (5.2) under the plunger head (see Figure 2), taking care to ensure that the exposed surface of the gauze is free from creases. Take a fresh piece of gauze for each test.

8.2 Drying the test panel

Dry (or stove) and age, if applicable, each coated test panel in a horizontal position with free circulation of air, but shielded from draughts and direct sunlight, for the specified time under the specified conditions.

The drying (or stoving) and aging time and conditions shall be as specified by the manufacturer, or agreed between the interested parties, and included in the test report [see Clause 10, items c) 4) and c) 5)].

8.3 Determination of through-dry state

8.3.1 On completion of the specified drying time (see 8.2), place a test panel on the baseplate.

8.3.2 Place the weights (5.4) on the top of the plunger. Gently lower the plunger so that the gauze is in contact with the test panel. Start the stopwatch (5.5) and allow the plunger to remain in this position for (10 ± 1) s.

8.3.3 At the end of this period, turn the plunger head through an angle of 90° over a period of about 2 s. Immediately raise the plunger, remove the test panel and examine the coat in the test area using the naked eye.

8.3.4 Repeat the procedure in 8.3.1 to 8.3.3 on two additional coated panels.

8.3.5 If no damage is observed on any of the three test surfaces, report the result as "through-dry state achieved". If damage is observed on one or more of the three test surfaces, report the result as "through-dry state not achieved".

Some coatings do not reach a point where they are totally unaffected by the test (i.e. a point where no mark, for instance, is left on the surface by the gauze), even when they have reached a functionally acceptable state of drying or cure. In such cases, the time when the coating reaches the stage at which the action carried out in the test does not cause deterioration of the coating to an extent where it could not perform its ultimate function shall be quoted.

For some coatings, e.g. those which are applied to protect the substrate rather than for cosmetic reasons, marking of the surface would not constitute an inability of the coating to perform its function. For highly pigmented coatings, the action of the gauze can cause polishing of the surface, leaving marks which might not be detrimental to the coating's ultimate function. In such cases, all observations shall be recorded in the test report.

Take care to avoid confusion between cohesive failure within the coat (a failure under this test) and failure of the coat to adhere to the substrate (not a failure under this test).

8.4 Determination of through-dry time

8.4.1 On completion of the specified drying time (see 8.2), place a test panel on the baseplate.

8.4.2 At appropriate intervals, carry out the test described in 8.3.2 and 8.3.3. Examine the coating in the test area for damage. Stop the test when no damage occurs to the coat (see 8.3.5).

8.4.3 Repeat the procedure in 8.4.1 and 8.4.2 on two additional coated panels.

8.4.4 Report the longest time taken in the three tests for the coat to reach the through-dry state.

8.5 Thickness of coating

Determine the thickness, in micrometres, of the coat in the through-dry state by one of the procedures specified in ISO 2808, using an untested area of the coated panel.

9 Precision

No precision data are currently available.

10 Test report

The test report shall contain at least the following information:

- a) all information necessary for identification of the product tested;
- b) a reference to this part of ISO 9117 (ISO 9117-1:2009);
- c) details of the preparation of the test panels, including:
 - 1) the substrate material and the surface preparation of the substrate (see 7.1 and 7.2),
 - 2) the method of application of the test coating to the substrate (see 7.2),
 - 3) the thickness, in micrometres, of the dry coating and the method of measurement from ISO 2808 (see 8.5), and whether it is a single coating or a multi-coat system,
 - 4) when assessing the through-dry state, the duration and conditions of drying (or stoving) the coat and the conditions of ageing, if applicable, before testing (see 8.3),
 - 5) when determining the through-dry time, the conditions of drying (or stoving) the coat and the conditions of ageing, if applicable, before testing, and the intervals between tests (see 8.4);
- d) the results of the test as specified in Clause 8, including:
 - 1) whether the coat achieved the through-dry state or not,
and/or
 - 2) the through-dry time,
 - 3) all observations (see 8.3.5, third paragraph);
- e) any deviations from the procedure specified;
- f) any unusual features (anomalies) observed during the test;
- g) the date of the test.

Bibliography

- [1] ISO 4622, *Paints and varnishes — Pressure test for stackability*³⁾
- [2] ISO 3678, *Paints and varnishes — Print-free test*

3) Under revision. The revision will be published as ISO 9117-2.

BSI - British Standards Institution

BSI is the independent national body responsible for preparing British Standards. It presents the UK view on standards in Europe and at the international level. It is incorporated by Royal Charter.

Revisions

British Standards are updated by amendment or revision. Users of British Standards should make sure that they possess the latest amendments or editions.

It is the constant aim of BSI to improve the quality of our products and services. We would be grateful if anyone finding an inaccuracy or ambiguity while using this British Standard would inform the Secretary of the technical committee responsible, the identity of which can be found on the inside front cover. Tel: +44 (0)20 8996 9000. Fax: +44 (0)20 8996 7400.

BSI offers members an individual updating service called PLUS which ensures that subscribers automatically receive the latest editions of standards.

Buying standards

Orders for all BSI, international and foreign standards publications should be addressed to Customer Services. Tel: +44 (0)20 8996 9001. Fax: +44 (0)20 8996 7001 Email: orders@bsigroup.com You may also buy directly using a debit/credit card from the BSI Shop on the Website <http://www.bsigroup.com/shop>

In response to orders for international standards, it is BSI policy to supply the BSI implementation of those that have been published as British Standards, unless otherwise requested.

Information on standards

BSI provides a wide range of information on national, European and international standards through its Library and its Technical Help to Exporters Service. Various BSI electronic information services are also available which give details on all its products and services. Contact Information Centre. Tel: +44 (0)20 8996 7111 Fax: +44 (0)20 8996 7048 Email: info@bsigroup.com

Subscribing members of BSI are kept up to date with standards developments and receive substantial discounts on the purchase price of standards. For details of these and other benefits contact Membership Administration. Tel: +44 (0)20 8996 7002 Fax: +44 (0)20 8996 7001 Email: membership@bsigroup.com

Information regarding online access to British Standards via British Standards Online can be found at <http://www.bsigroup.com/BSOL>

Further information about BSI is available on the BSI website at <http://www.bsigroup.com>.

Copyright

Copyright subsists in all BSI publications. BSI also holds the copyright, in the UK, of the publications of the international standardization bodies. Except as permitted under the Copyright, Designs and Patents Act 1988 no extract may be reproduced, stored in a retrieval system or transmitted in any form or by any means – electronic, photocopying, recording or otherwise – without prior written permission from BSI.

This does not preclude the free use, in the course of implementing the standard, of necessary details such as symbols, and size, type or grade designations. If these details are to be used for any other purpose than implementation then the prior written permission of BSI must be obtained.

Details and advice can be obtained from the Copyright and Licensing Manager. Tel: +44 (0)20 8996 7070 Email: copyright@bsigroup.com

BSI Group
Headquarters 389
Chiswick High Road,
London, W4 4AL, UK
Tel +44 (0)20 8996 9001
Fax +44 (0)20 8996 7001
[www.bsigroup.com/
standards](http://www.bsigroup.com/standards)