

Paints, varnishes and plastics

Pull-off test for adhesion
(ISO 4624 : 2002)

English version of DIN EN ISO 4624



EN ISO 4624

ICS 87.040

Supersedes DIN EN 24624,
September 1992 edition.Beschichtungsstoffe – Abreißversuch zur Beurteilung
der Haftfestigkeit (ISO 4624 : 2002)**European Standard EN ISO 4624 : 2003 has the status of a DIN Standard.****National foreword**

This standard has been published in accordance with a decision taken by CEN/TC 139 to adopt, without alteration, International Standard ISO 4624 as a European Standard.

The responsible German body involved in its preparation was the *Normenausschuss Beschichtungsstoffe und Beschichtungen* (Coatings and Coating Materials Standards Committee), Technical Committees *Lackrohstoffe* and *Allgemeine Prüfverfahren für Beschichtungsstoffe und Beschichtungen*.

The DIN Standards corresponding to the International Standards referred to in clause 2 of the EN are as follows:

ISO Standard	DIN Standard
ISO 1513	DIN EN ISO 1513
ISO 1514	DIN EN ISO 1514
ISO 2808	DIN EN ISO 2808
ISO 3270	DIN EN 23270
ISO 15528	DIN EN ISO 15228

Amendments

This standard differs from DIN EN 24624, September 1992 edition, in that details of sampling and test equipment have been changed.

Previous editions

DIN EN 24624: 1992-09.

National Annex NA**Standards referred to**

(and not included in **Normative references** and **Annex ZA**)

DIN EN 23270	Paints, varnishes and their raw materials – Temperatures and humidities for conditioning and testing (ISO 3270 : 1984)
DIN EN ISO 1513	Paints and varnishes – Examination and preparation of samples (ISO 1513 : 1992)
DIN EN ISO 1514	Paints and varnishes – Standard panels for testing (ISO 1514 : 1993)
DIN EN ISO 2808	Paints and varnishes – Determination of film thickness (ISO 2808 : 1997)
DIN EN ISO 15528	Paints, varnishes and raw materials for paints and varnishes – Sampling (ISO 15528 : 2000)

EN comprises 13 pages.

标格达仪器
www.biuged.com

English version

Paints, varnishes and plastics

Pull-off test for adhesion

(ISO 4624 : 2002)

Peintures, vernis et plastiques – Essai
de traction (ISO 4624 : 2002)

Beschichtungsstoffe – Abreißversuch
zur Beurteilung der Haftfestigkeit
(ISO 4624 : 2002)

This European Standard was approved by CEN on 2003-03-17.

CEN members are bound to comply with the CEN/CENELEC Internal Regulations which stipulate the conditions for giving this European Standard the status of a national standard without any alteration.

Up-to-date lists and bibliographical references concerning such national standards may be obtained on application to the Management Centre or to any CEN member.

The European Standards exist in three official versions (English, French, German). A version in any other language made by translation under the responsibility of a CEN member into its own language and notified to the Management Centre has the same status as the official versions.

CEN members are the national standards bodies of Austria, Belgium, the Czech Republic, Denmark, Finland, France, Germany, Greece, Hungary, Iceland, Ireland, Italy, Luxembourg, Malta, the Netherlands, Norway, Portugal, Slovakia, Spain, Sweden, Switzerland, and the United Kingdom.



European Committee for Standardization
Comité Européen de Normalisation
Europäisches Komitee für Normung

Management Centre: rue de Stassart 36, B-1050 Brussels

Foreword

International Standard

ISO 4624 : 2002 Paints and varnishes – Pull-off test for adhesion, which was prepared by ISO/TC 35 'Paints and varnishes' of the International Organization for Standardization, has been adopted by Technical Committee CEN/TC 139 'Paints and varnishes', the Secretariat of which is held by DIN, as a European Standard.

This European Standard shall be given the status of a national standard, either by publication of an identical text or by endorsement, and conflicting national standards withdrawn, by November 2003 at the latest.

In accordance with the CEN/CENELEC Internal Regulations, the national standards organizations of the following countries are bound to implement this European Standard:

Austria, Belgium, the Czech Republic, Denmark, Finland, France, Germany, Greece, Hungary, Iceland, Ireland, Italy, Luxembourg, Malta, the Netherlands, Norway, Portugal, Slovakia, Spain, Sweden, Switzerland, and the United Kingdom.

Endorsement notice

The text of the International Standard ISO 4624 : 2002 was approved by CEN as a European Standard without any modification.

NOTE: Normative references to international publications are listed in Annex ZA (normative).

Contents

	Page
1 Scope	3
2 Normative references	3
3 Principle	3
4 Required supplementary information	4
5 Apparatus	4
6 Adhesives	6
7 Sampling	6
8 Test panels	7
9 Procedure	7
10 Calculation and expression of results	10
11 Precision	10
12 Test report	11

Annex

A Required supplementary information	12
Bibliography	12

Introduction

This International Standard is one of two standards which describe methods for assessing the adhesion of a single coating or a multi-coat system of paint, varnish or related product by measuring the minimum tensile stress necessary to detach or to rupture the coating in a direction perpendicular to the substrate.

The test result is influenced not only by the mechanical properties of the system under test, but also by the nature and preparation of the substrate, the method of paint application, the drying conditions of the coating, the temperature, the humidity and other factors like the type of test instrument which has been used.

The other International Standard is ISO 2409:1992, *Paints and varnishes — Cross-cut test*.

1 Scope

This International Standard describes methods for determining the adhesion by carrying out a pull-off test on a single coating or a multi-coat system of paint, varnish or related product.

These test methods have been found useful in comparing the adhesion behaviour of different coatings. It is most useful in providing relative ratings for a series of coated panels exhibiting significant differences in adhesion.

The test may be applied using a wide range of substrates. Different procedures are given according to whether the substrate is deformable, for example thin metal, plastics and wood, or rigid, for example thick concrete and metal plates. For special purposes, the coating may be applied directly to the face of a test dolly.

2 Normative references

The following normative documents contain provisions which, through reference in this text, constitute provisions of this International Standard. For dated references, subsequent amendments to, or revisions of, any of these publications do not apply. However, parties to agreements based on this International Standard are encouraged to investigate the possibility of applying the most recent editions of the normative documents indicated below. For undated references, the latest edition of the normative document referred to applies. Members of ISO and IEC maintain registers of currently valid International Standards.

ISO 1513:1992, *Paints and varnishes — Examination and preparation of samples for testing*

ISO 1514:—¹⁾, *Paints and varnishes — Standard panels for testing*

ISO 2808:1997, *Paints and varnishes — Determination of film thickness*

ISO 3270:1984, *Paints and varnishes and their raw materials — Temperatures and humidities for conditioning and testing*

ISO 15528:2000, *Paints, varnishes and raw materials for paints and varnishes — Sampling*

3 Principle

The product or system under test is applied at uniform thickness to flat panels of uniform surface texture.

After drying/curing the coating system, dollies are bonded directly to the surface of the coated, cured panel using an adhesive.

After curing of the adhesive, the bonded dolly assemblies are placed in a suitable tensile tester. The bonded assemblies are subjected to a controlled tensile test (pull-off test), and the force required to break the coating/substrate bond is measured.

The test result is the tensile stress necessary to break the weakest interface (adhesive failure) or the weakest component (cohesive failure) of the test assembly. Mixed adhesive/cohesive failures may also occur.

1) To be published. (Revision of ISO 1514:1993)

4 Required supplementary information

For any particular application, the test methods specified in this International Standard need to be completed by supplementary information.

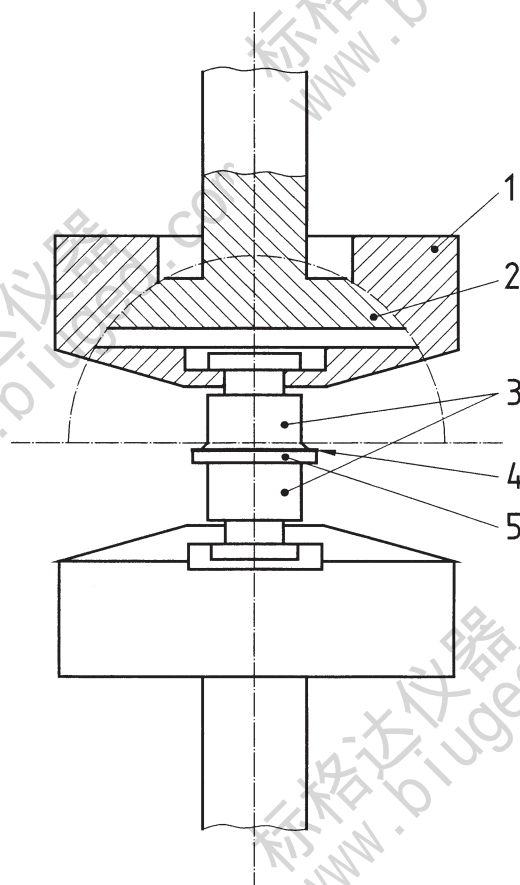
The items of supplementary information are given in annex A.

5 Apparatus

5.1 Tensile tester, suitable for carrying out the chosen procedure specified in clause 9. The tensile stress shall be applied in a direction perpendicular to the plane of the coated substrate and shall be increased at a substantially uniform rate, not greater than 1 MPa/s^2 , such that failure of the test assembly occurs within 90 s. Suitable designs for applying the tensile stress are shown in Figures 1 and 2.

NOTE 1 Instead of a tensile tester, other types of pull-off adhesion testers (mechanically, pneumatically, hydraulically or hand-driven) may be used provided that they give similar results. The type of instrument shall be reported in the test report, because hand-driven/mechanical/hydraulic instruments are reported to produce widely different results.

NOTE 2 The results can be influenced by the test assembly used. Furthermore, the results are not reproducible unless coaxial alignment of the tensile forces is ensured.



Key

- 1 Support
- 2 Ball joint
- 3 Dollies
- 4 Coating
- 5 Substrate

Figure 1 — Example of a suitable test apparatus for the methods described in 9.4.1 and 9.4.3

2) $1 \text{ MPa/s} = 1 \text{ MN/m}^2 \cdot \text{s}$

Key

- 1 Coating
- 2 Test piece
- 3 Dolly
- 4 Ball-and-socket sliding joint
- 5 Support (suitably designed to allow for joint assembly)
- 6 Ball-and-socket sliding joint

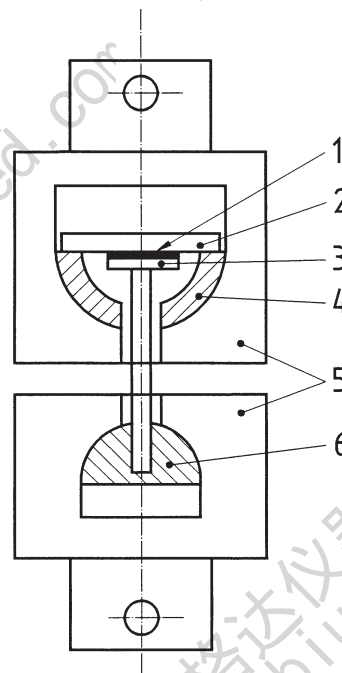


Figure 2 — Example of a suitable test apparatus for the method described in 9.4.2

5.2 Test dollies, each consisting of a steel- or aluminium-faced cylinder, specifically designed to be used with the tensile tester. Each dolly has a rigid, flat face for bonding the adhesive/coating at one end and a facility for connecting the pull-off tester at the other. Each dolly has a nominal diameter of 20 mm (see however following paragraph) and sufficient thickness to ensure freedom from distortion during the test. It is recommended that the length of each dolly is not less than half its diameter. The faces of each dolly shall be machined perpendicular to its axis before use.

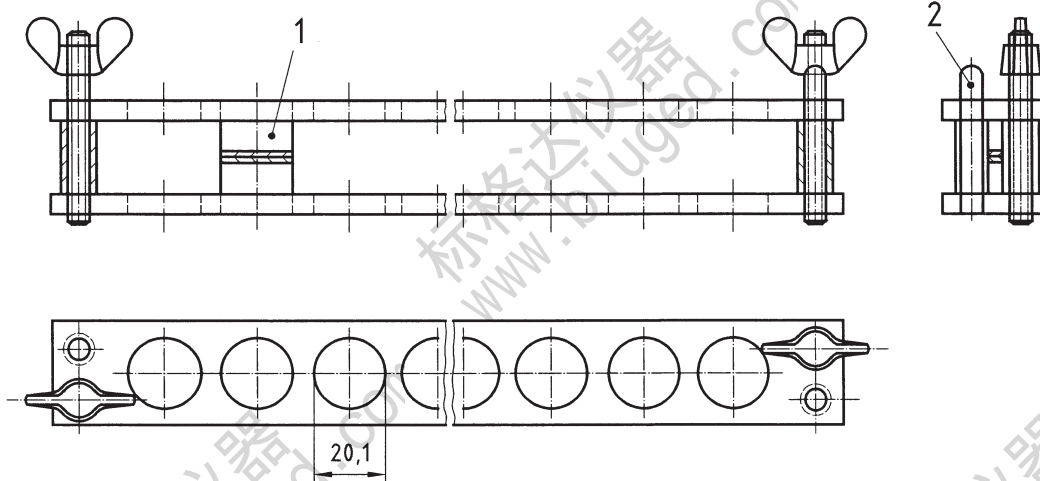
Dollies with a diameter of 7 mm may be used when the method for testing adhesion from one side only is used (see 9.4.2). If dollies of 7 mm in diameter are used, 10 measurements shall be made to improve the precision. The diameter of the dollies shall be reported in the test report.

5.3 Centering device, for ensuring proper coaxial alignment of the test assembly during the adhesion process described in 9.4.1 and 9.4.3. A suitable design is shown in Figure 3.

5.4 Cutting device, such as a sharp knife, for cutting through cured adhesive and the paint coating to the substrate, round the circumference of the dolly.

Depending on the mechanical properties of the paint system (e.g. brittleness), cutting through the cured adhesive and the paint film to the substrate can have a big influence on the adhesion of the paint system. It is permitted, if specified or agreed between the interested parties, not to cut when the paint systems are less than 150 µm in layer thickness. If cuts around the dolly have been made, this shall be mentioned in the test report and the type of cutting tool also mentioned.

Dimensions in millimetres



Key

- 1 Test assembly aligned for adhesion process (see 5.3)
- 2 Centering pin

Figure 3 — Example of a suitable centering device for 20-mm-diameter dollies

6 Adhesives

Special attention is required in selecting suitable adhesives to be used in the test. To produce failure of the coating, it is essential that the cohesive and bonding properties of the adhesive are greater than those of the coating under test.

Preliminary screening of adhesives shall be carried out in order to determine their suitability for use. Suitable adhesives and, if applicable, their unmixed components shall cause little or no visible change in the coating under test when left in contact with the coating for a period equivalent to the curing time of the adhesive.

Adhesives which give the highest results, which means the most coating-substrate adhesive failure, are preferred.

In most cases, cyanoacrylate, two-component solventless epoxide and peroxide-catalysed polyester adhesives have been found suitable. In special tests under highly humid conditions, the curing time of the adhesive shall be as short as possible. The use of two-pack quick-drying epoxy adhesive is preferable in these situations.

NOTE Where failure is mainly associated with the adhesive, the use of another type of adhesive may enable more useful results to be obtained.

7 Sampling

Take a representative sample of the product to be tested (or of each product in case of a multi-coat system), as described in ISO 15528.

Examine and prepare the sample for testing, as described in ISO 1513.

8 Test panels

8.1 Substrate

Unless otherwise agreed, select the substrate from one of those described in ISO 1514, using where possible the same type of material as will be used in practice. The substrate panels shall be plane and free from distortion.

8.2 Preparation and coating

Unless otherwise agreed, prepare each test panel in accordance with that pretreatment method which is intended to be carried out on the original surface. The chosen pretreatment shall be reported in the test report.

8.3 Drying and conditioning

Dry (or stove) and age, if applicable, each coated test panel for the specified time and under the specified conditions. Before testing, condition the coated panels at $(23 \pm 2) ^\circ\text{C}$ and a relative humidity of $(50 \pm 5) \%$ (see ISO 3270), unless otherwise agreed, for a minimum period of 16 hours.

8.4 Thickness of coating

The thickness of the coating shall be specified and agreed between the interested parties. Determine the thickness, in micrometres, of the dried coating by one of the procedures specified in ISO 2808.

NOTE See also clause 1.

9 Procedure

9.1 Number of determinations

Carry out at least six determinations, i.e. using at least six test assemblies (see 9.4).

9.2 Ambient conditions

Carry out the test at $(23 \pm 2) ^\circ\text{C}$ and a relative humidity of $(50 \pm 5) \%$, unless otherwise agreed (see ISO 3270).

9.3 Adhesive

Prepare and apply the adhesive (see clause 6) in accordance with the manufacturer's instructions. Use the minimum quantity of adhesive required to produce a firm, continuous and even bond between the components of the test assembly. Remove any excess adhesive immediately if possible.

9.4 Test assemblies

9.4.1 General method (using two dollies) for testing both rigid and deformable substrates

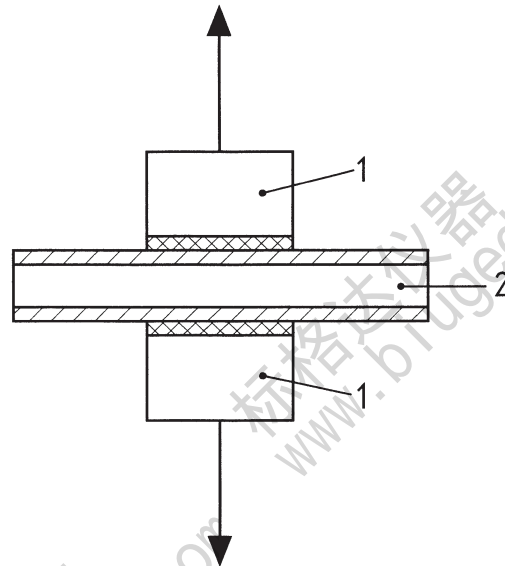
Use as the test piece an area, cut from the coated substrate (disc of minimum diameter 30 mm or square of minimum side 30 mm). Take care not to distort the test piece. Apply the adhesive evenly to the surfaces of two freshly-cleaned dollies (5.2) of equal diameter (see notes 1 and 2).

Place the test piece between the adhesive-coated faces of the dollies such that the dollies are coaxially aligned in the centre of the test piece, as shown in Figure 4. Align the test assembly in the centering device (5.3) and maintain the alignment for a period equal to the curing time of the adhesive. In special tests under highly humid conditions, the

curing time of the adhesive shall be as short as possible, the use of two-pack quick-drying epoxy adhesive is preferable in these situations. At the end of this period, carefully use the cutting device (5.4) to cut around the circumference of the dollies through to the substrate, unless otherwise specified or agreed (see 5.4).

NOTE 1 The adhesion at the adhesive/coating interface may be improved by lightly abrading the surface of the dried coating and the surface of the test dolly before application of the adhesive.

NOTE 2 In the method for deformable substrates, if a poor adhesive bond is expected between the uncoated face of the substrate and the dolly, coat both faces of the substrate with the product under test.



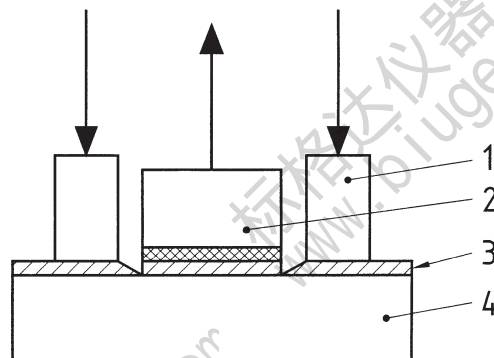
- Key**
- 1 Dolly coated with adhesive
 - 2 Substrate painted on one or both sides

Figure 4 — Test assembly for sandwich method with substrate painted on one or both sides

9.4.2 Method for testing from one side only, using a single dolly (suitable for rigid substrates only)

Apply the adhesive evenly to the uncoated, freshly-cleaned surface of a dolly (5.2). Place the adhesive-coated face of the dolly in contact with the coating, for a period equal to the curing time of the adhesive (see notes to 9.4.1). At the end of this period, carefully use the cutting device (5.4) to cut around the circumference of the dolly through to the substrate, unless otherwise specified or agreed.

Place the outer ring in position and test as indicated in Figure 5.



- Key**
- 1 Outer ring
 - 2 Dolly coated with adhesive
 - 3 Paint coating
 - 4 Substrate

Figure 5 — Test assembly for rigid substrates

9.4.3 Method using dollies, one as a painted substrate

Apply the adhesive evenly to the uncoated, freshly-cleaned surface of a dolly. Place the adhesive-coated surface of the dolly in contact with the surface of a second dolly coated with the product under test, as shown in Figure 6, and align the test assembly in the centering device (5.3) for a period equal to the curing time of the adhesive.

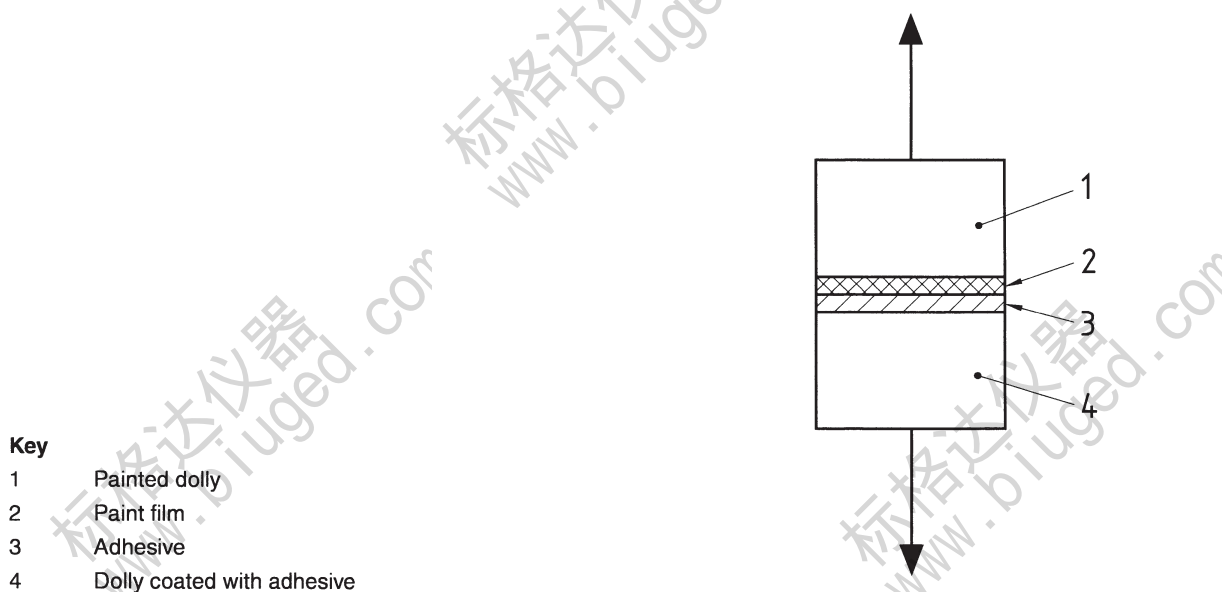


Figure 6 — Test assembly using dollies only

Key

- 1 Painted dolly
- 2 Paint film
- 3 Adhesive
- 4 Dolly coated with adhesive

9.5 Measurement

9.5.1 Breaking strength

Immediately after the period allowed for the curing of the adhesive, place the test assembly in the pull-off adhesion tester (5.1), taking care to align the dollies so that the tensile force is applied uniformly across the test area, without any bending moment. Apply a tensile stress, increasing at a rate not greater than 1 MPa/s, perpendicular to the plane of the coated substrate such that failure of the test assembly occurs within 90 s of initial application of the stress.

Record the tensile stress required to break the test assembly.

Repeat the pull-off test for each test assembly prepared (see 9.1).

9.5.2 Nature of the fracture

Visually inspect the fracture surfaces to establish the nature of the fracture, and assess the type of fracture as follows:

- A is cohesive failure of substrate;
- A/B is adhesive failure between substrate and first coat;
- B is cohesive failure of first coat;
- B/C is adhesive failure between first and second coats;
- n is cohesive failure of the n th coat of a multicoat system;

n/m is adhesive failure between the n th coat and the m th coat of a multicoat system;

$-/Y$ is adhesive failure between final coat and adhesive;

Y is cohesive failure of adhesive;

Y/Z is adhesive failure between adhesive and dolly.

Estimate the area of fracture as a percentage to the nearest 10 % for each type of fracture.

Where consistency of bonding failure is not achieved, review both the preparation and application of the coating; for inconsistent failure of the adhesive, see clause 6 and the notes given in 9.4.1. Repeat the series of tests using at least six more test assemblies.

10 Calculation and expression of results

10.1 Breaking strength

The breaking strength σ , in megapascals, for each test assembly is given by the equation

$$\sigma = F/A$$

where

F is the breaking force, in newtons;

A is the area of the dolly, in square millimetres.

NOTE In the case of dollies of diameter 20 mm, the breaking strength, in megapascals, is given by the equation

$$\sigma = 4F/400\pi = F/314$$

Calculate the mean of all six determinations to the nearest whole number. Express the result as a mean and range.

10.2 Nature of failure

Express the result as the estimated mean percentage area and type of fracture in the system under test in accordance with 9.5.2.

10.3 Example

If a paint system breaks at a mean tensile stress of 20 MPa and examination of the area on each side of the site of separation reveals a mean of approximately 30 % of the dolly area associated with cohesive failure of the first coat and 70 % of the dolly area associated with intercoat adhesive failure between the first and second coats, the pull-off test result is expressed as:

20 MPa, 30 % B, 70 % B/C

11 Precision

No relevant precision data are currently available. Data for a related method are given in ASTM D 4541.

Users of this International Standard should be aware that, because of the subjective assessment of the point at which detachment occurs and the nature of the failure, precision data will only give an indication of the accuracy of the method.

However, the method has been found to be useful in comparing the adhesion of different coatings. It is most useful in providing relative ratings for a series of coated panels exhibiting significant differences in adhesion (see clause 1).

12 Test report

The test report shall contain at least the following information:

- a) all details necessary to identify the product(s) tested;
- b) a reference to this International Standard (ISO 4624:2002);
- c) the items of supplementary information referred to in annex A;
- d) a reference to the international or national standard, product specification or other document supplying the information referred to in c);
- e) the chosen pretreatment of the substrate;
- f) the thickness of the paint system and/or the thickness of the individual layers;
- g) the type of instrument and the diameter of the dolly which was used;
- h) if used, the type of cutting tool employed to cut around the dolly;
- i) the results of the test, reported as indicated in clause 10;
- j) any deviation from the test method specified;
- k) the date of the test.

Annex A (normative)

Required supplementary information

The items of supplementary information listed in this annex shall be supplied as appropriate to enable the method to be carried out.

The information required should preferably be agreed between the interested parties and may be derived, in part or totally, from an international or national standard or other document related to the product under test.

- a) Substrate material, substrate thickness and surface preparation of the substrate.
- b) Method of application of the test coating to the substrate.
- c) Duration and conditions of drying (or stoving) and ageing (if applicable) of the coating before testing.
- d) Thickness, in micrometres, of the dry coating and method of measurement in accordance with ISO 2808, and whether it is a single coating or a multi-coat system.
- e) The adhesive (and mixing ratios, if applicable) and curing conditions (see also clause 6).
- f) Length of time and conditions between assembly and testing.
- g) Temperature and humidity of the test, if different from those specified in 9.2 (see ISO 3270).

Bibliography

- [1] ASTM D 4541, *Standard Test Method for Pull-Off Strength of Coatings Using Portable Adhesion Testers*

Annex ZA
(normative)

**Normative references to international publications
with their relevant European publications**

This European Standard incorporates by dated or undated reference, provisions from other publications. These normative references are cited at the appropriate places in the text and the publications are listed hereafter. For dated references, subsequent amendments to or revisions of any of these publications apply to this European Standard only when incorporated in it by amendment or revision. For undated references the latest edition of the publication referred to applies (including amendments).

NOTE Where an International Publication has been modified by common modifications, indicated by (mod.), the relevant EN/HD applies.

<u>Publication</u>	<u>Year</u>	<u>Title</u>	<u>EN</u>	<u>Year</u>
ISO 1513	1992	Paints and varnishes - Examination and preparation of samples for testing	EN ISO 1513	1991
ISO 1514	1993	Paints and varnishes - Standard panels for testing	EN ISO 1514	1997
ISO 2808	1997	Paints and varnishes - Determination of film thickness	EN ISO 2808	1999
ISO 3270	1984	Paints and varnishes and their raw materials - Temperatures and humidities for conditioning and testing	EN 23270	1991
ISO 15528	2000	Paints, varnishes and raw materials for paints and varnishes - Sampling	EN ISO 15528	2000