

# Paints and varnishes — Determination of viscosity using rotary viscometers —

## Part 2: Disc or ball viscometer operated at a specified speed

This European Standard EN ISO 2884-2:2006 has the status of a  
British Standard

ICS 87.040

## National foreword

This British Standard was published by BSI. It is the UK implementation of EN ISO 2884-2:2006. It is identical to ISO 2884-2:2003.

The UK participation in its preparation was entrusted to Technical Committee STI/10, Test methods for paints.

A list of organizations represented on this committee can be obtained on request to its secretary.

This publication does not purport to include all the necessary provisions of a contract. Users are responsible for its correct application.

**Compliance with a British Standard cannot of itself confer immunity from legal obligations.**

### Amendments issued since publication

Amd. No.	Date	Comments
16864	28 February 2007	Renumbers the BS as BS EN ISO 2884-2:2006

This British Standard was published under the authority of the Standards Policy and Strategy Committee on 14 July 2003

© BSI 2007

ISBN 0 580 42257 7

ICS 87.040

English Version

Paints and varnishes - Determination of viscosity using rotary viscometers - Part 2: Disc or ball viscometer operated at a specified speed (ISO 2884-2:2003)

Peintures et vernis - Détermination de la viscosité au moyen de viscosimètres rotatifs - Partie 2: Viscosimètre à disque ou à bille fonctionnant à vitesse spécifiée (ISO 2884-2:2003)

Beschichtungstoffe - Bestimmung der Viskosität mit Rotationsviskosimetern - Teil 2: Scheiben- oder Kugelviskosimeter bei festgelegter Geschwindigkeit (ISO 2884-2:2003)

This European Standard was approved by CEN on 18 May 2006.

CEN members are bound to comply with the CEN/CENELEC Internal Regulations which stipulate the conditions for giving this European Standard the status of a national standard without any alteration. Up-to-date lists and bibliographical references concerning such national standards may be obtained on application to the Central Secretariat or to any CEN member.

This European Standard exists in three official versions (English, French, German). A version in any other language made by translation under the responsibility of a CEN member into its own language and notified to the Central Secretariat has the same status as the official versions.

CEN members are the national standards bodies of Austria, Belgium, Cyprus, Czech Republic, Denmark, Estonia, Finland, France, Germany, Greece, Hungary, Iceland, Ireland, Italy, Latvia, Lithuania, Luxembourg, Malta, Netherlands, Norway, Poland, Portugal, Romania, Slovakia, Slovenia, Spain, Sweden, Switzerland and United Kingdom.



EUROPEAN COMMITTEE FOR STANDARDIZATION  
COMITÉ EUROPÉEN DE NORMALISATION  
EUROPÄISCHES KOMITEE FÜR NORMUNG

Management Centre: rue de Stassart, 36 B-1050 Brussels

## Foreword

The text of ISO 2884-2:2003 has been prepared by Technical Committee ISO/TC 35 "Paints and varnishes" of the International Organization for Standardization (ISO) and has been taken over as EN ISO 2884-2:2006 by Technical Committee CEN/TC 139 "Paints and varnishes", the secretariat of which is held by DIN.

This European Standard shall be given the status of a national standard, either by publication of an identical text or by endorsement, at the latest by December 2006, and conflicting national standards shall be withdrawn at the latest by December 2006.

According to the CEN/CENELEC Internal Regulations, the national standards organizations of the following countries are bound to implement this European Standard: Austria, Belgium, Cyprus, Czech Republic, Denmark, Estonia, Finland, France, Germany, Greece, Hungary, Iceland, Ireland, Italy, Latvia, Lithuania, Luxembourg, Malta, Netherlands, Norway, Poland, Portugal, Romania, Slovakia, Slovenia, Spain, Sweden, Switzerland and United Kingdom.

### Endorsement notice

The text of ISO 2884-2:2003 has been approved by CEN as EN ISO 2884-2:2006 without any modifications.

INTERNATIONAL  
STANDARD

ISO  
2884-2

First edition  
2003-03-01

---

---

**Paints and varnishes — Determination of  
viscosity using rotary viscometers —**

Part 2:

**Disc or ball viscometer operated at a  
specified speed**

*Peintures et vernis — Détermination de la viscosité au moyen de  
viscosimètres rotatifs —*

*Partie 2: Viscosimètre à disque ou à bille fonctionnant à vitesse  
spécifiée*



Reference number  
ISO 2884-2:2003(E)

www.biuged.com

标格达仪器  
www.biuged.com

标格达仪器  
www.biuged.com

标格达仪器  
www.biuged.com

标格达仪器  
www.biuged.com

标格达仪器  
www.biuged.com

标格达仪器  
www.biuged.com

标格达仪器  
www.biuged.com

标格达仪器  
www.biuged.com

标格达仪器  
www.biuged.com

标格达仪器  
www.biuged.com

## Contents

Page

Foreword.....	iv
1 Scope.....	1
2 Normative references .....	1
3 Apparatus.....	2
4 Sampling.....	4
5 Checking the apparatus.....	4
6 Procedure.....	5
7 Cleaning of apparatus .....	5
8 Expression of results.....	6
9 Precision.....	6
10 Test report.....	6
Bibliography .....	7



## Foreword

ISO (the International Organization for Standardization) is a worldwide federation of national standards bodies (ISO member bodies). The work of preparing International Standards is normally carried out through ISO technical committees. Each member body interested in a subject for which a technical committee has been established has the right to be represented on that committee. International organizations, governmental and non-governmental, in liaison with ISO, also take part in the work. ISO collaborates closely with the International Electrotechnical Commission (IEC) on all matters of electrotechnical standardization.

International Standards are drafted in accordance with the rules given in the ISO/IEC Directives, Part 2.

The main task of technical committees is to prepare International Standards. Draft International Standards adopted by the technical committees are circulated to the member bodies for voting. Publication as an International Standard requires approval by at least 75 % of the member bodies casting a vote.

Attention is drawn to the possibility that some of the elements of this document may be the subject of patent rights. ISO shall not be held responsible for identifying any or all such patent rights.

ISO 2884-2 was prepared by Technical Committee ISO/TC 35, *Paints and varnishes*, Subcommittee SC 9, *General test methods for paints and varnishes*.

ISO 2884 consists of the following parts, under the general title *Paints and varnishes — Determination of viscosity using rotary viscometers*:

- Part 1: *Cone-and-plate viscometer operated at a high rate of shear*
- Part 2: *Disc or ball viscometer operated at a specified speed*



# Paints and varnishes — Determination of viscosity using rotary viscometers —

Part 2:

## Disc or ball viscometer operated at a specified speed

**WARNING** — Persons using this part of ISO 2884 should be familiar with normal laboratory practice. This part of ISO 2884 does not purport to address all of the safety problems, if any, associated with its use. It is the responsibility of the user to establish appropriate health and safety practices and to ensure compliance with any national regulatory conditions.

### 1 Scope

This part of ISO 2884 specifies a general procedure for determining the viscosity of paints, varnishes and related products with a viscosity of up to 34 Pa·s. It is applicable mainly during production and thinning.

It supplements

ISO 2431, *Paints and varnishes — Determination of flow time by use of flow cups*;

ISO 2884-1, *Paints and varnishes — Determination of viscosity using rotary viscometers — Part 1: Cone-and-plate viscometer operated at a high rate of shear*.

For more accurate methods of measurement of viscosity, refer to ISO 3219, *Plastics — Polymers/resins in the liquid state or as emulsions or dispersions — Determination of viscosity using a rotational viscometer with defined shear rate*.

The apparatus specified may be used in both a laboratory and a factory environment to determine the viscosity of a product and to monitor the viscosity whilst thinning during a manufacturing process.

### 2 Normative references

The following referenced documents are indispensable for the application of this document. For dated references, only the edition cited applies. For undated references, the latest edition of the referenced document (including any amendments) applies.

ISO 1513:1992, *Paints and varnishes — Examination and preparation of samples for testing*

ISO 3104:1994, *Petroleum products — Transparent and opaque liquids — Determination of kinematic viscosity and calculation of dynamic viscosity*

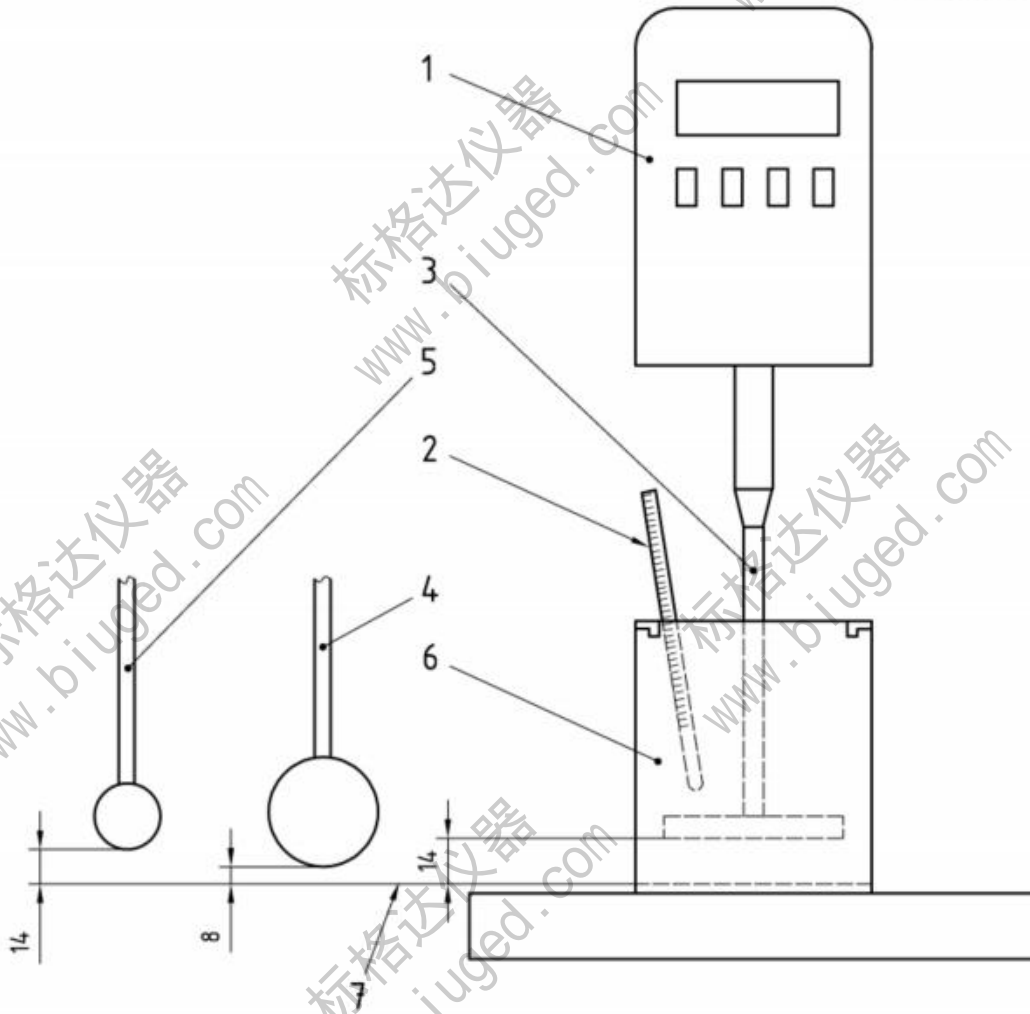
ISO 3105:1994, *Glass capillary kinematic viscometers — Specifications and operating instructions*

ISO 15528:2000, *Paints, varnishes and raw materials for paints and varnishes — Sampling*

### 3 Apparatus

3.1 Rotary viscometer (see Figure 1), of one of the types specified in 3.1.1 and 3.1.2.

Dimensions in millimetres



**Key**

- |                                    |  |
|------------------------------------|--|
| 1 viscometer                       | 5 type 3 spindle   |
| 2 thermometer or temperature probe | 6 container  |
| 3 type 1 spindle                   | 7 level of inside surface of bottom of container, with nominal spindle heights indicated |
| 4 type 2 spindle                   |  |

**Figure 1 — Rotary viscometer with disc and ball spindles**

3.1.1 **Digital-display viscometer**, capable of operating at a spindle speed of  $562 \text{ rpm} \pm 2\%$  and having an accuracy, for a Newtonian fluid, within 1% of the full-scale reading, for the viscosity ranges stated in 3.2.1 and 3.2.2.

The torque is measured by an electronic method.

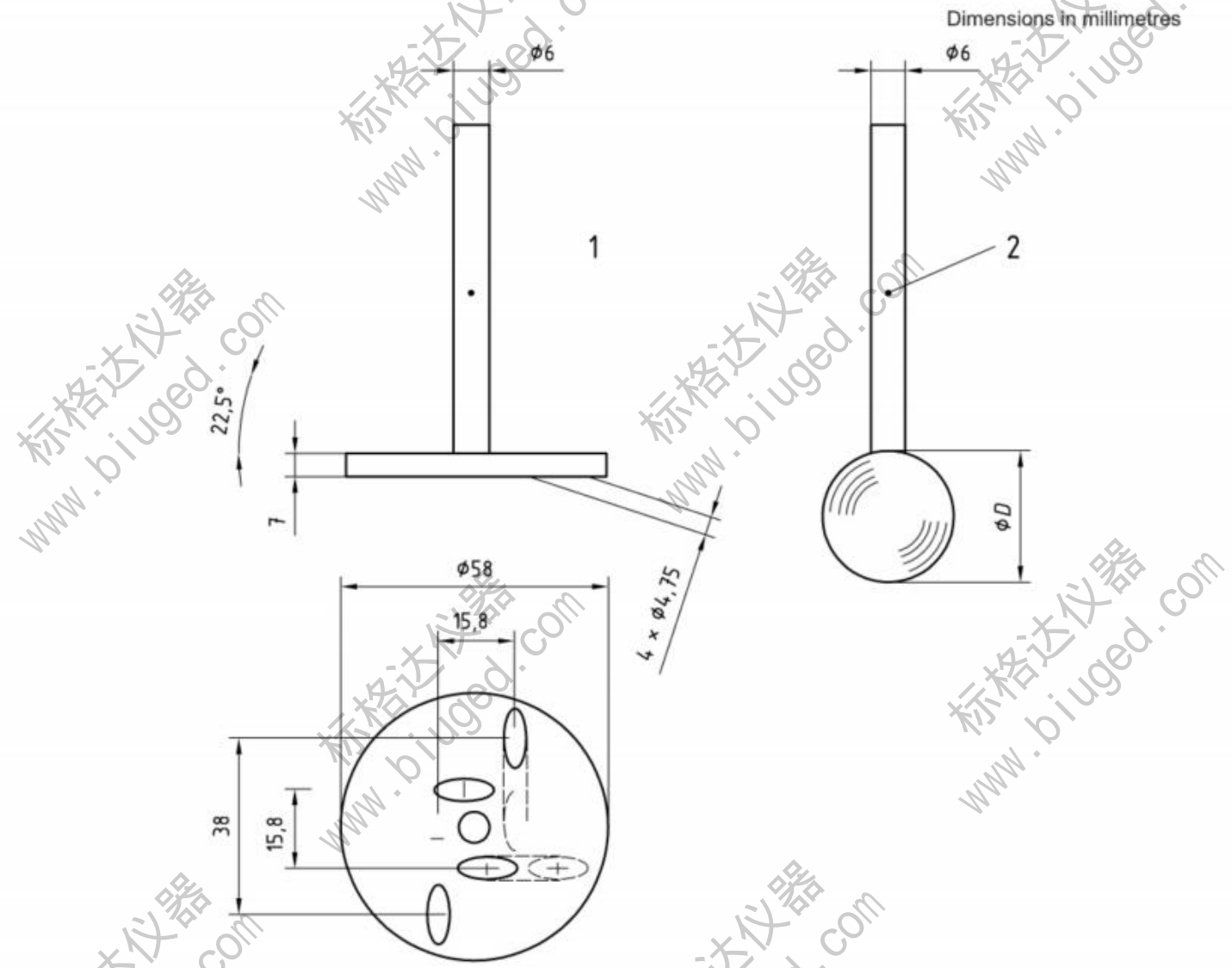
3.1.2 **Analogue-display viscometer**, capable of operating at a spindle speed of  $562 \text{ rpm} \pm 2\%$  and having an accuracy, for a Newtonian fluid, within 1% of the full-scale reading, for the viscosity ranges stated in 3.2.1 and 3.2.2.

A spring is used to counteract the torque generated by the fluid.

3.2 Spindles (see Figure 2), of the following types:

3.2.1 **Disc spindle (type 1)**, for use with viscosities up to 1,5 Pa·s (1 500 mPa·s), with an average shear rate of approximately  $200 \text{ s}^{-1}$  with a Newtonian fluid. The disc shall have cross-channels designed to produce a slight agitating action. The dimensions shall be as shown in Figure 2.

3.2.2 **Ball spindles (types 2 and 3)**, for use with viscosities up to 6,5 Pa·s (type 2) and 34 Pa·s (type 3), with an average shear rate of approximately  $44 \text{ s}^{-1}$  and  $20 \text{ s}^{-1}$ , respectively, with a Newtonian fluid. The dimensions shall be as shown in Figure 2.



- Key**  
 1 disc spindle (type 1)  
 2 ball spindle (types 2 and 3)

Spindle	Viscosity range	Diameter, <i>D</i>
Type 2	0 mPa·s to 6 500 mPa·s (6,5 Pa·s)	31,75 mm
Type 3	0 mPa·s to 34 000 mPa·s (34 Pa·s)	19,05 mm

Figure 2 — Disc and ball spindles



**3.3 Container**, comprising a round paint can, as shown in Figure 3, with a capacity of 250 ml, a nominal internal diameter of 74 mm, a height of 74 mm and a filling-aperture diameter of 61 mm. If a different container is used, the viscometer shall be calibrated accordingly (see Clause 5).

**NOTE** Different can sizes may result in different viscosity readings. Therefore users are advised to use the same can size when comparing samples.

Dimensions in millimetres

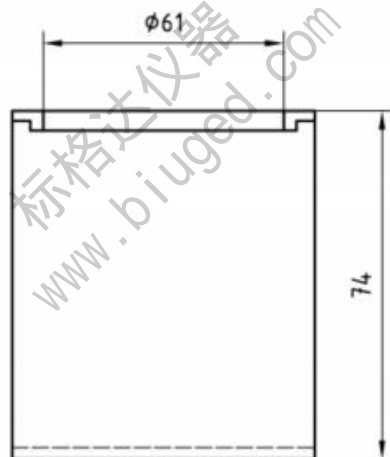


Figure 3 — Container

**3.4 Temperature-control device**, capable of maintaining the container and fluid at  $(23 \pm 0,3) ^\circ\text{C}$ .

**3.5 Calibrated thermometer**, accurate to  $0,3 ^\circ\text{C}$  and graduated at intervals of  $0,2 ^\circ\text{C}$  or finer.

**3.6 Calibration fluids**: standard refined mineral oils having Newtonian characteristics. The viscosities shall be within  $\pm 2\%$  of the stated values. The viscosities of the standard fluids shall have been determined by an accredited laboratory using an absolute method such as one of those specified in ISO 3104 or ISO 3105.

## 4 Sampling

Take a representative sample of the product to be tested, as described in ISO 15528. Examine the sample and prepare it for testing as described in ISO 1513. If necessary, strain the sample through a sieve of nominal mesh size  $125 \mu\text{m}$  into a clean container (3.3).

The volume of the sample shall be sufficient to fill the 250 ml container to within about 15 mm of the top.

## 5 Checking the apparatus

The apparatus shall be checked on a regular basis in accordance with the manufacturer's recommendations and from experience gained in the use of the instrument (i.e. comparing results against those from previous checks, hence enabling the required frequency of checking to be established).

The instrument shall be checked at  $(23 \pm 0,3) ^\circ\text{C}$ , or, by agreement between the interested parties, at another temperature, with three calibration fluids (3.6) selected to cover the measurement range of the apparatus.

Pour one of the calibration fluids into the 250 ml container (3.3), maintained at  $(23 \pm 0,3) ^\circ\text{C}$  (or the temperature agreed between the interested parties), filling it to within about 20 mm of the top. Place the filled container under the viscometer and position it centrally below the spindle. Slowly lower the spindle into the

fluid until it reaches the correct level above the bottom of the container (see Figure 1). Then add fluid until the level reaches the line on the spindle shaft. During these operations, ensure that there are no air bubbles trapped in the fluid, paying special attention to the rotating surfaces and the container walls. Any air bubbles present may be removed by the use of a clean, pointed probe.

Allow to stand for sufficient time to ensure thermal equilibrium between the fluid, container and spindle. Carefully raise and lower the spindle, if necessary, to assist in reaching thermal equilibrium. When equilibrium has been reached, remove the thermometer (3.5).

With the spindle in the operating position (see Figure 1) and turning at  $562 \text{ rpm} \pm 2 \%$ , take a reading from the viscosity display. Compare the reading against the certified viscosity of the fluid at the same temperature.

Repeat for each calibration fluid, cleaning the spindle immediately after each run using a suitable solvent.

The readings obtained shall not differ by more than  $\pm 5 \%$  from the certified viscosity values. In the event of any of the readings falling outside this limit, the apparatus shall be checked and re-calibrated by a competent engineer or returned to the manufacturer for adjustment.

## 6 Procedure

The determination shall be carried out at  $(23 \pm 0,5) \text{ }^\circ\text{C}$  unless otherwise agreed between the interested parties.

Prior to use, ensure the instrument is thoroughly clean and free from any deposits. Pour the test sample into a 250 ml container of the same size as that used for calibration, filling it to within about 20 mm of the top. Proceed as in Clause 5.

Immediately after taking the reading, raise the spindle and check the temperature of the sample. If the temperature is not within the range  $(23 \pm 0,5) \text{ }^\circ\text{C}$  (or that agreed between the interested parties), repeat the determination at the correct temperature.

If the sample is to be thinned to a specific viscosity, add small, measured amounts of thinner, at the same temperature as the sample, until the desired value is obtained. Allow sufficient time to permit complete mixing to take place before taking readings.

After the viscosity reading has been taken, allow the sample to stand for approximately 5 min before repeating the determination to confirm the reading.

With some samples, the initial reading may not be steady, but may fall or rise slowly to a steady value. This may indicate that the material exhibits thixotropic properties, in which case both the initial and final values shall be recorded. The initial reading will, however, depend upon the rheological history of the sample.

**NOTE** Thixotropic paints may initially be stirred at a given rate for a specified time before a reading is taken.

## 7 Cleaning of apparatus

Clean the spindle immediately after each determination using a suitable solvent. The procedure used shall be in accordance with the instrument manufacturer's instructions. Take care not to exert excessive force which may alter the concentricity of the spindle.

Ensure that all traces of test material are removed from the apparatus.

Never use metallic cleaning tools.

## 8 Expression of results

Express the viscosity in pascal seconds (Pa·s).

NOTE 1 Pa·s = 10 poise.

## 9 Precision

No precision data are currently available. Precision data will be added to this part of ISO 2884 when they have been determined.

## 10 Test report

The test report shall contain at least the following information:

- a) all details necessary for complete identification of the product tested;
- b) a reference to this part of ISO 2884, including its date of publication (i.e. ISO 2884-2:2003);
- c) the type of apparatus used, including manufacturer, model and spindle type;
- d) the last date that the instrument was calibrated;
- e) the size and dimensions of the container, if different from those specified in 3.3;
- f) the temperature at which the determination was made, if different from that stated in Clause 6;
- g) the temperature at which calibration was carried out, if different from that stated in Clause 5;
- h) the test results, expressed in pascal seconds (Pa·s);
- i) the type of thermometer used and the last date of calibration;
- j) any deviation from the procedure described;
- k) details of any specific points on which agreement between the interested parties was necessary;
- l) any thixotropic properties noted;
- m) the date of the test;
- n) the identity of the person who carried out the test and the test facility.



**Bibliography**

- [1] MONK, C.J.H.: *A rotary viscometer for thinning paint samples*, JOCCA, 1958, pp. 599-606



BS EN ISO  
2884-2:2006  
BS 3900-A7-2:  
2006

## BSI — British Standards Institution

BSI is the independent national body responsible for preparing British Standards. It presents the UK view on standards in Europe and at the international level. It is incorporated by Royal Charter.

### Revisions

British Standards are updated by amendment or revision. Users of British Standards should make sure that they possess the latest amendments or editions.

It is the constant aim of BSI to improve the quality of our products and services. We would be grateful if anyone finding an inaccuracy or ambiguity while using this British Standard would inform the Secretary of the technical committee responsible, the identity of which can be found on the inside front cover.  
Tel: +44 (0)20 8996 9000, Fax: +44 (0)20 8996 7400.

BSI offers members an individual updating service called PLUS which ensures that subscribers automatically receive the latest editions of standards.

### Buying standards

Orders for all BSI, international and foreign standards publications should be addressed to Customer Services. Tel: +44 (0)20 8996 9001.  
Fax: +44 (0)20 8996 7001. Email: [orders@bsi-global.com](mailto:orders@bsi-global.com). Standards are also available from the BSI website at <http://www.bsi-global.com>.

In response to orders for international standards, it is BSI policy to supply the BSI implementation of those that have been published as British Standards, unless otherwise requested.

### Information on standards

BSI provides a wide range of information on national, European and international standards through its Library and its Technical Help to Exporters Service. Various BSI electronic information services are also available which give details on all its products and services. Contact the Information Centre.  
Tel: +44 (0)20 8996 7111. Fax: +44 (0)20 8996 7048. Email: [info@bsi-global.com](mailto:info@bsi-global.com).

Subscribing members of BSI are kept up to date with standards developments and receive substantial discounts on the purchase price of standards. For details of these and other benefits contact Membership Administration.  
Tel: +44 (0)20 8996 7002. Fax: +44 (0)20 8996 7001.  
Email: [membership@bsi-global.com](mailto:membership@bsi-global.com).

Information regarding online access to British Standards via British Standards Online can be found at <http://www.bsi-global.com/bsonline>.

Further information about BSI is available on the BSI website at <http://www.bsi-global.com>.

### Copyright

Copyright subsists in all BSI publications. BSI also holds the copyright, in the UK, of the publications of the international standardization bodies. Except as permitted under the Copyright, Designs and Patents Act 1988 no extract may be reproduced, stored in a retrieval system or transmitted in any form or by any means – electronic, photocopying, recording or otherwise – without prior written permission from BSI.

This does not preclude the free use, in the course of implementing the standard, of necessary details such as symbols, and size, type or grade designations. If these details are to be used for any other purpose than implementation then the prior written permission of BSI must be obtained.

Details and advice can be obtained from the Copyright & Licensing Manager.  
Tel: +44 (0)20 8996 7070. Fax: +44 (0)20 8996 7553.  
Email: [copyright@bsi-global.com](mailto:copyright@bsi-global.com).

BSI  
389 Chiswick High Road  
London  
W4 4AL